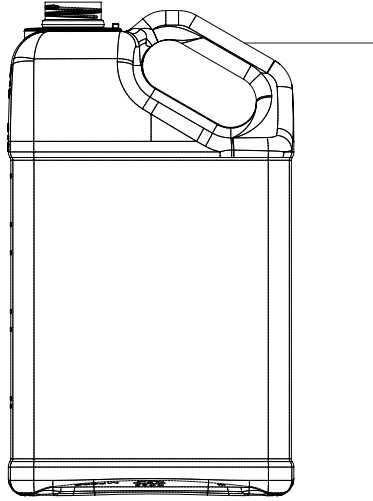




PLASTIC CONTAINERS

09.16.2020

5 Quart (160 oz) Slant Handle Bottle



- HDPE
- 163.2 oz. Capacity
- View Stripe: Yes
- 170 Grams
- Graduations: Yes
- Neck Finish: 38MM/SP-410
- Dimensions:  
6.98Wx4.70Dx12.06H

Weight

- 100 lbs. per pallet

Pack-out

- 224 units per skid
- 12,544 units/56 pallets per TL

Dimensions

Skid Dims:  
38.375Wx50.75Dx48.5H

*36"x48" pallet provided for additional fee*

Custom Colors

Available with minimum volume requirements

Stocked Colors

- White
- Silver

Labeling

Die line template available for pressure sensitive labels