

**PALLETIZED QUANTITIES:**

Per Pallet: 1,215  
Boxes Per Pallet: 9  
Bottes Per Box: 135

Units TL: 29,160  
Pallets: 24

**BOTTLE DIMENSIONS:**

9.963Hx10.2C

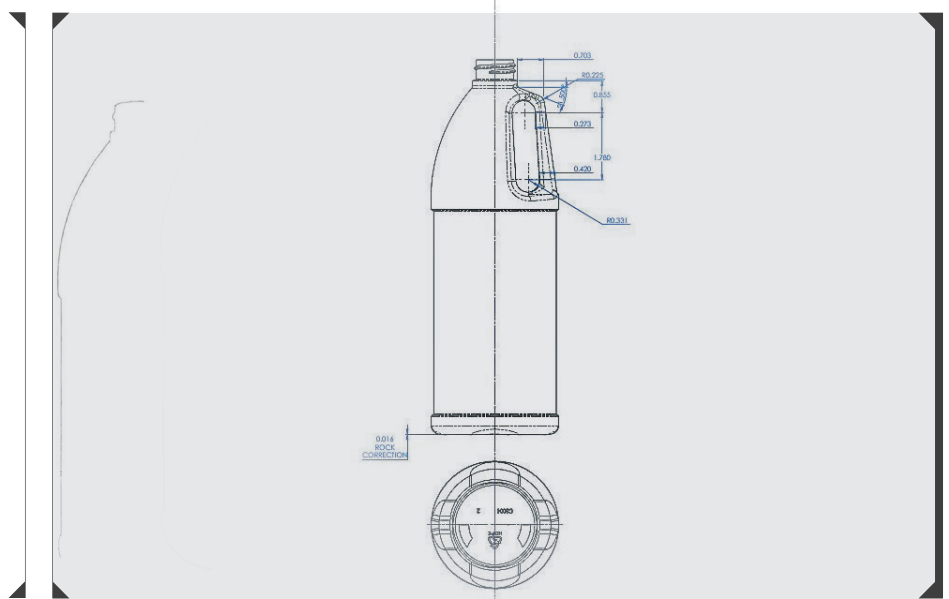
**NECK FINISH:**

28MM TE400

**PRODUCT SPECS:**

Material: HDPE  
Capacity: 32oz.  
View Stripe: No  
Gram Weight: 61

**FEATURE**



**COLORS OPTIONS:**



**PALLET DIMENSIONS & WEIGHTS:**

Pallet Dims: 50x36  
Pallet Height: 90"

**LABELING:**

Die Line Template Available  
Pressure Sensitive Label

**Stocked Colors: Black, White & Silver**

**CUSTOMIZE IT!**

**CUSTOM COLORS AVAILABLE CONTACT US AT [PLASTICCONTAINERS@MARTINLUBRICANTS.COM](mailto:PLASTICCONTAINERS@MARTINLUBRICANTS.COM)**

Handling conditions vary a lot from customer to customer. Tests are recommended thought-out the process of denesting, filling, conveying palletization, warehousing, transportation and utilization by intermediaries and users. Specifications can change without notice. Please contact your Martin representative to confirm this data.